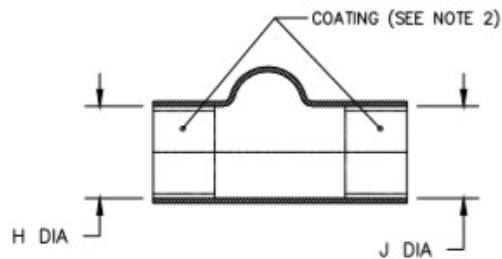


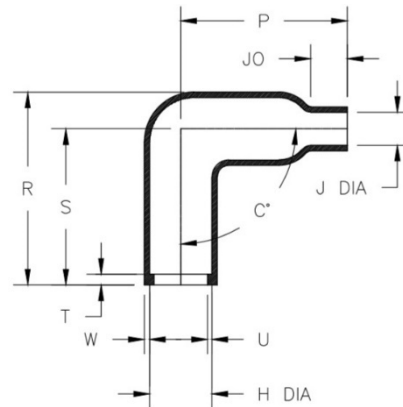
Moulded Parts 222B112 and 222B123 (right angled, lipped)

These moulded parts or heat shrink boots are used for mechanical protection and cable strain relief. This version is ideal for cable harness applications where cable branches and breakouts are required. Our moulded parts combine an easy and quick installation with high electric strength, mechanical toughness and chemical and environmental resistance. These moulded parts are with or without coating available.

As supplied



After heating



Dimensions in mm

Injection and vent port available only on request

Part number	Inside diameter (coating reduces Ø max. 1.5mm)		P	R	S	T	U	JO	W		
	As supplied	After heating								Tolerance +/-10%	
	H	J	H	J							
222B112	25.4	25.4	17.8	9.4	47.5	44.4	31.5	3.0	1.3	10.6	1.5
222B123	38.1	38.1	24.1	12.4	50.8	50.3	40.6	3.0	1.3	10.3	1.5

Material (not all combinations available)

Ordering Code	Material	Operating temperature range
-3	Polyolefin, semi-rigid	-55°C to +135°C
-4	Polyolefin, flexible	-55°C to +135°C
-12	Fluoroelastomer, flexible	-55°C to +200°C
-25	Elastomer, fluid resistant	-75°C to +150°C
-100	Polyolefin, halogen free	-30°C to +105°C

Coating, Adhesive

Ordering code	Material	Operating temperature range
/42	Polyamide, hot-melt	-20°C to +60°C
/86	High performance, hot-melt	-55°C to +120°C
/225	Epoxy/Polyamide	-75°C to +150°C

Colour

Ordering Code	Colour
-0	Black